

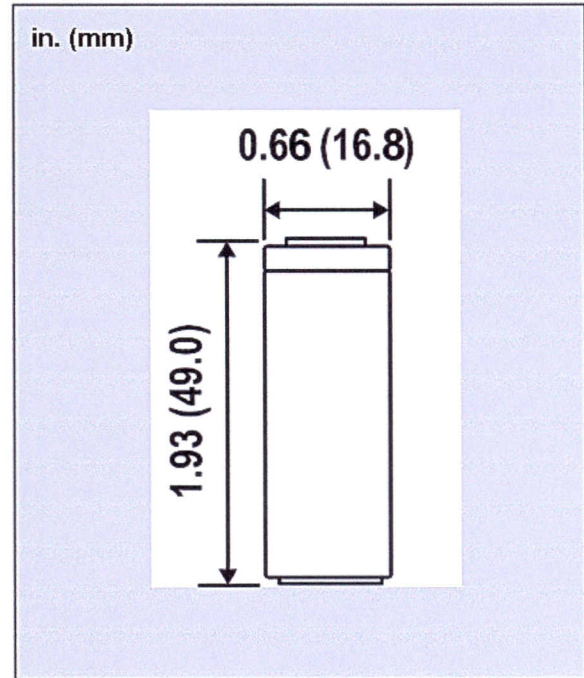
Sealed Nickel Cadmium Batteries

Model: PS-A

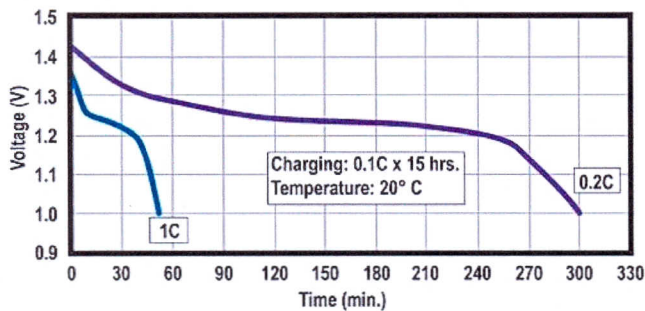
Specifications

Nominal Voltage		1.2 Volt
Rated Capacity		1400 mAh
Dimensions	Diameter in. (mm)	0.66 (16.8)
	Height in. (mm)	1.93 (49.0)
	Height with solder tabs	2.02 (51.1)
Weight Approx.	Weight Approx.	31 gm
	Internal Resistance	< 20 mΩ
	Standard Charge (0.1C)	140 mA
	Trickle Charge	(0.03C)~(0.05C)
	Fast Charge ΔV	700 mA
Recommended Operating Temperature Range	Std/Trickle Charge	20±5°C
	Fast Charge	20±5°C
	Discharge	20±5°C
	Storage	-20°C to 45°C
Standard Discharge (0.2C) Cut Off Voltage		1.0V per cell
High Rate Discharge (1 C) Cut Off Voltage		1.0V per cell

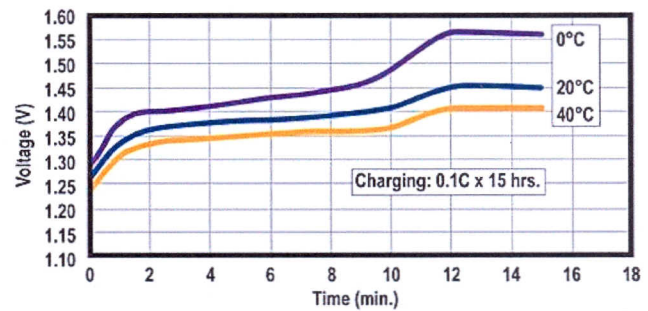
Dimensions



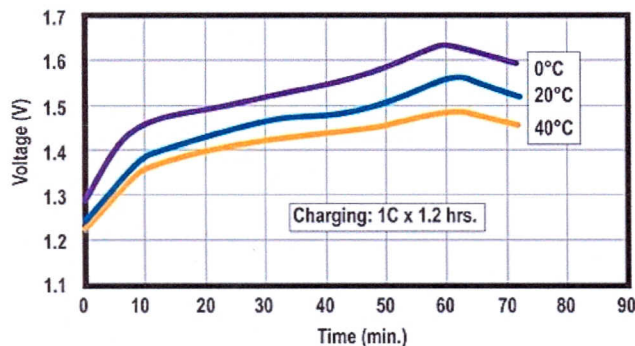
Charging and Discharging Characteristics



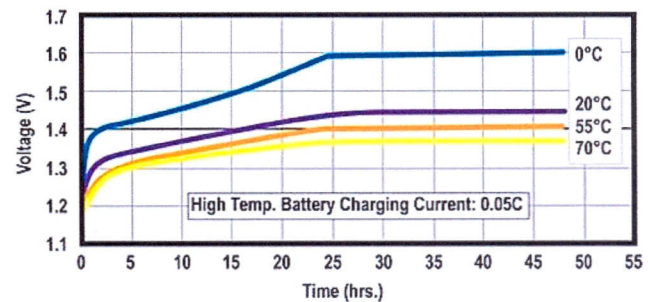
Discharge



Standard Charge



Fast Charge



Trickle Charge