

PHR-1290 12 Volt 21 AH @ 20-hr. rate 90 W/Cell @ 15-min. rate

Rechargeable Sealed Lead Acid Battery PHR HIGH RATE SERIES



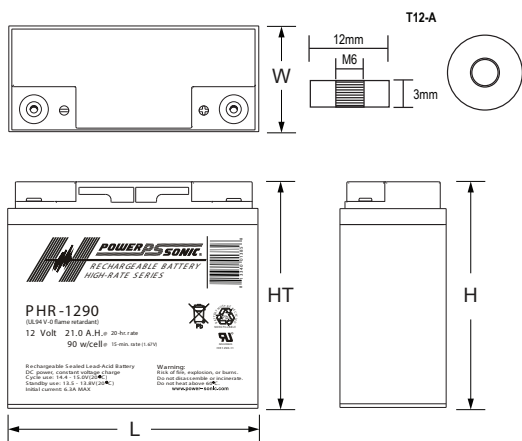
We've Got The Power.™



Features

- Superb high-rate discharge characteristics that ensure reliable performance in UPS applications for up to 10 years. UL recognized
- Flame retardant ABS case and cover to UL 94 V-0 for superior performance
- VRLA Absorbent Glass Mat (AGM) Technology guarantees safe operation without maintenance and "non-restricted article" status for transportation. Approved for transport by air. D.O.T., I.A.T.A. and F.A.A. certified.
- Precision plate pasting for higher consistency with 100% load testing to ensure uniform capacity
- Patented dual-paste process for enhanced active material bonding, and computer guided volumetric electrolyte control for precision filling
- Lead-calcium alloy grids and the use of high purity lead account for superior shelf-life characteristics

Physical Dimensions: in (mm)



L: 7.14 (181) W: 2.99 (76) H: 6.56 (167) HT: 6.56 (167)

Tolerances are +/- 0.04 in. (+/- 1mm) and +/- 0.08 in. (+/- 2mm) for height dimensions.

Performance Specifications

Nominal Voltage	12 volts (6 cells)
Nominal Power (15 min.)	90 W/Cell
Rated Capacity	
20-hr. (1.06A to 10.80 volts)	21.2 AH
10-hr. (2.00A to 10.50 volts)	20.0 AH
8-hr. (2.44A to 10.50 volts)	19.5 AH
Approximate Weight	14.0 lbs. (6.35 kg)
Internal Resistance (approx.)	7 milliohms
Max Discharge Current (5 Sec.)	470 amperes
Charging Voltage @ 77°F (20°C)	
Standby Use	2.275 ± 0.025 V/Cell, (-3.3mV/°C/Cell)
Cycle Use	2.45±0.05 V/Cell, (-5 mV /°C/Cell)
Maximum Charging Current	6.3 A
Case	Flame Retardant ABS Plastic (UL 94 V-0)

Constant Current Discharge (Amperes) at 25°C

Constant Power Discharge (Watts/Cell) at 25°C (Blue)

PHR-1290	5 min	10 min	15 min	20 min	30 min	45 min	1h	2h	3h	4h	5h	6h	8h	10h	20h
1.85V	55.4	41.2	35.2	29.8	21.8	15.7	12.3	6.9	5.0	4.0	3.4	2.9	2.3	1.9	1.0
1.80V	63.4	46.7	39.0	32.7	23.6	16.8	13.1	7.3	5.3	4.2	3.5	3.1	2.4	2.0	1.1
1.75V	71.7	51.2	42.5	34.8	24.9	17.6	13.7	7.6	5.5	4.4	3.6	3.1	2.4	2.0	1.1
1.70V	79.4	56.2	45.7	36.9	26.1	18.3	14.1	7.8	5.6	4.4	3.7	3.2	2.5	2.0	1.1
1.67V	86.5	60.5	48.9	38.5	26.8	18.7	14.5	7.9	5.7	4.5	3.7	3.2	2.5	2.1	1.1
1.60V	93.4	63.1	50.2	39.2	27.2	18.9	14.6	8.0	5.8	4.6	3.8	3.2	2.5	2.1	1.1
1.85V	103.8	78.4	67.9	58.1	42.9	31.1	24.6	13.9	10.1	8.1	6.9	5.9	4.7	3.9	2.1
1.80V	117.4	87.9	74.6	63.2	46.1	33.2	26.1	14.6	10.7	8.5	7.2	6.2	4.9	4.1	2.2
1.75V	130.7	95.1	80.3	66.5	48.3	34.6	27.1	15.1	10.9	8.8	7.3	6.3	5.0	4.1	2.2
1.70V	142.2	102.8	85.2	69.8	50.3	35.7	27.9	15.5	11.2	8.9	7.4	6.4	5.0	4.2	2.2
1.67V	151.7	108.9	90.0	71.9	51.3	36.2	28.3	15.7	11.4	9.0	7.5	6.5	5.1	4.2	2.3
1.60V	160.8	111.8	90.9	72.3	51.4	36.2	28.4	15.7	11.4	9.1	7.6	6.5	5.1	4.2	2.3